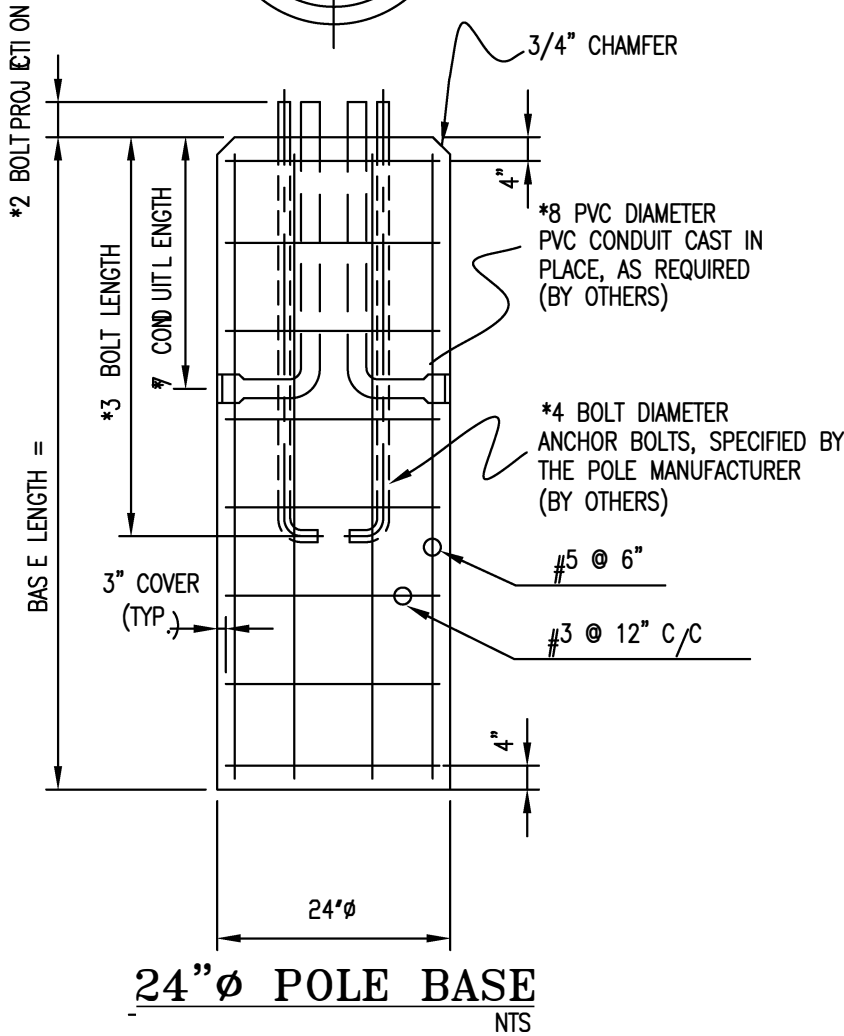
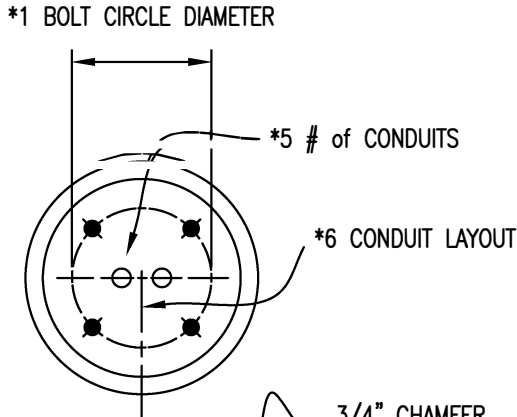
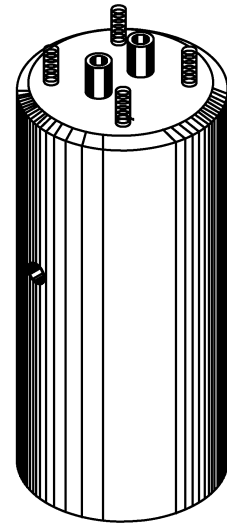


PRODUCT SPECIFICATIONS:

CONCRETE = 5,000 PSI @ 28 DAYS
 REINFORCING = AS SPECIFIED BY THE ENGINEER
 WEIGHT/LINEAR FT. = 453 LBS.

Signature: _____

Date: _____



POLE BASE DETAILS

*1 Bolt Circle Diam.=	_____	inches
*2 Bolt Projection=	_____	inches
*3 Bolt Length=	_____	inches
*4 Bolt Diameter=	_____	inches
*5 # of Conduits=	_____	
*6 Conduits Layout=	*Sketch conduit orientation in plan view*	
*7 Conduit Length=	_____	inches
*8 PVC Diameter=	_____	inches

* Information MUST be provided prior to fabrication of bases

NOTES:

- 1.0 THIS POLE BASE IS DESIGNED TO SUPPORT METAL LIGHT POLES. IT IS THE ENGINEERS RESPONSIBILITY TO DETERMINE WHICH LIGHT POLES CAN BE SUPPORTED BY THIS POLE BASE.
- 2.0 THE ENGINEER WILL DESIGN THE SIZE OF THE BOLTS, BOLT CIRCLE DIAMETER, AND THE BOLT PROJECTION. ** CUSTOMER IS RESPONSIBLE FOR ACCURACY AND QUANTITY OF SUPPLIED MATERIALS ** INITIAL: _____
- 3.0 CONDUIT FOR WIRING AND GROUNDING CAN BE CAST IN THE POLE BASE AS REQUIRED.