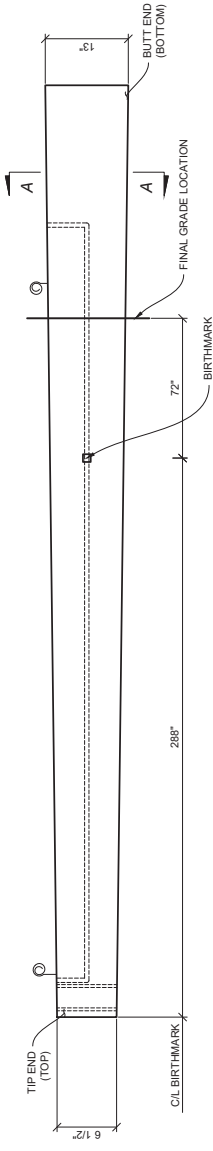


APPROVED BY: _____ DATE _____

LOCATIONS: _____ QTY _____

DIST. BTWN BORES
(CENTER TO CENTER)

POLE DIMENSIONS	
LENGTH (L), FT.	40
WEIGHT, POUNDS	3861
DEPTH OF EMBEDMENT (D), FT.	10
HEIGHT ABOVE GROUND (H), FT.	30
POLE RATING, KIPS	3.50



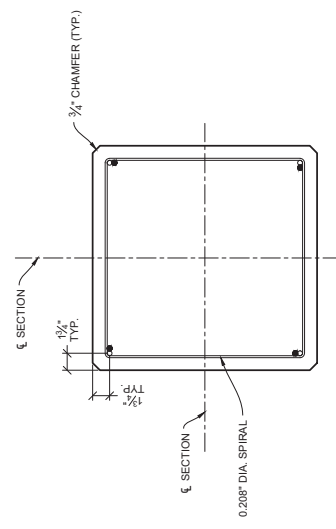
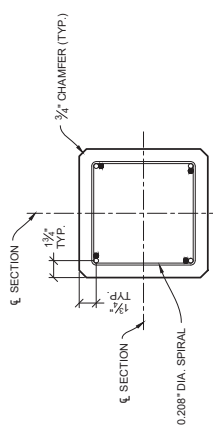
BIRTHMARK
 • Mfg. Brand / Name
 • Plant Designation
 • Month/Yr of Mfg.
 • Class / Length
 • Inspector's Markings

POLE ELEVATION (LINE FACING)
 (STRANDS AND REINFORCING NOT SHOWN)

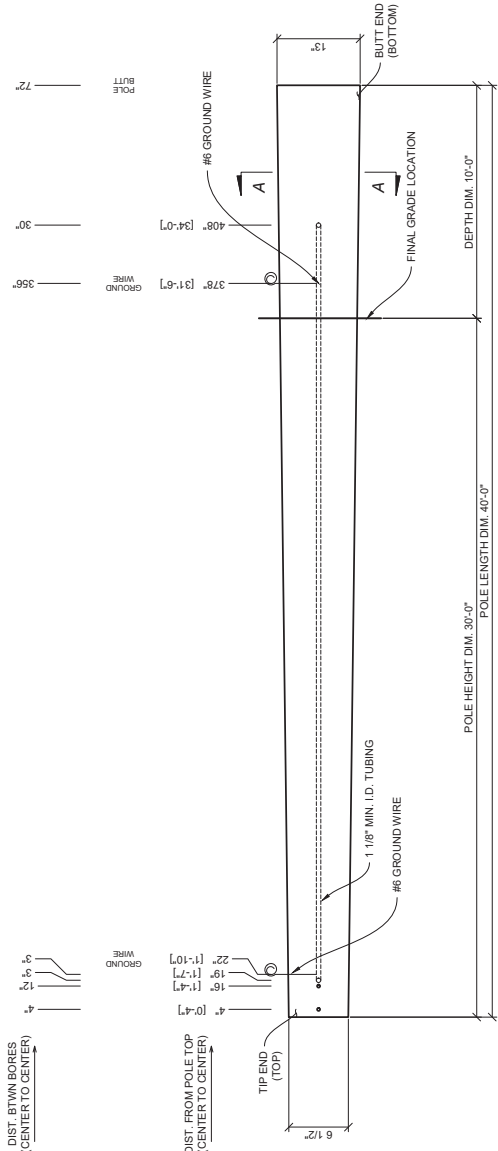
TIP END SECTION (TOP)
 (FOR MILD STEEL LOCATIONS SEE SECTION AA)

- STRAND LEGEND**
- - PRESTRESSED STRAND SPECIAL 0.5 IN - 27 KIPS BEFORE TRANSFER (4 STRANDS TOTAL)
 - - DORMANT STRAND SPECIAL 0.5 DIA. - CUT 12" 0" FROM TIP (4 STRANDS TOTAL)

NOTES:
 STRANDS SHOW ARE CONTINUOUS FROM TIP END TO BUTT END. ELEVATION VIEW SCALE IS EXAGGERATED VERTICALLY FOR CLARITY.



SECTION A - A
 (TYPICAL SQUARE SECTION)



PRECAST
 SPECIALTIES, LLC
 3886 SELVITZ ROAD, FT. PIERCE, FL 34982
 PHONE: (772) 266-5701 FAX: (772) 600-0812

DESCRIPTION:
 40 FT. TYPE III-A PRECAST CONCRETE POLE
 RATING - 3.50 KIPS

FLORIDA POWER & LIGHT

SHEET NO. 4011-A

LAST REVISION	DESCRIPTION	INDEX NO.	SHEET NO.
06/05/19	40 FT. TYPE III-A PRECAST CONCRETE POLE RATING - 3.50 KIPS		4011-A