

JOB NO: \_\_\_\_\_

PROJECT: \_\_\_\_\_

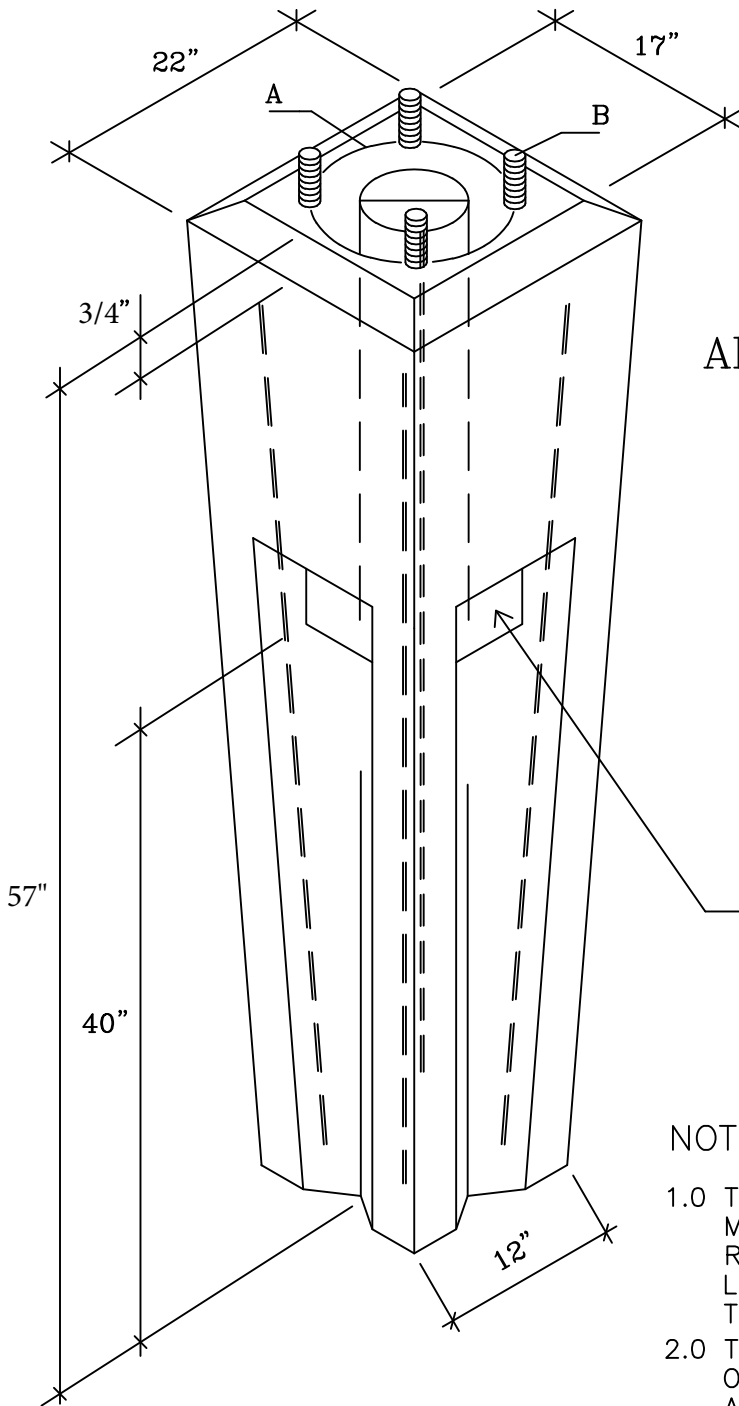
CUSTOMER: \_\_\_\_\_

THE FOLLOWING INFORMATION  
MUST BE PROVIDED PRIOR  
TO FABRICATION

(A) BOLT CIRCLE = \_\_\_\_\_

(B) BOLT PROJ. = \_\_\_\_\_

BOLT DIAM. = \_\_\_\_\_



### AB-5 POLE BASE

WEIGHT: 1165#

#4 REBAR - 54" LONG

THRU CENTER OF BASE

28-DAY CONCRETE COMPRESSIVE

STRENGTH = 5000 PSI

KNOCKOUT (4 PLCS.)

#### NOTES:

- 1.0 THIS POLE BASE IS DESIGNED TO SUPPORT METAL LIGHT POLES. IT IS THE ENGINEERS RESPONSIBILITY TO DETERMINE WHICH LIGHT POLES CAN BE SUPPORTED BY THIS POLE BASE.
- 2.0 THE ENGINEER WILL DESIGN THE SIZE OF THE BOLTS, BOLT CIRCLE DIAMETER, AND THE BOLT PROJECTION.

3898 Selvitz Road  
Fort Pierce, Florida 34981

772-266-5701

CGC-060216

**PRECAST**  
SPECIALTIES

Precast Specialties, LLC.  
Precast and Prestressed Concrete