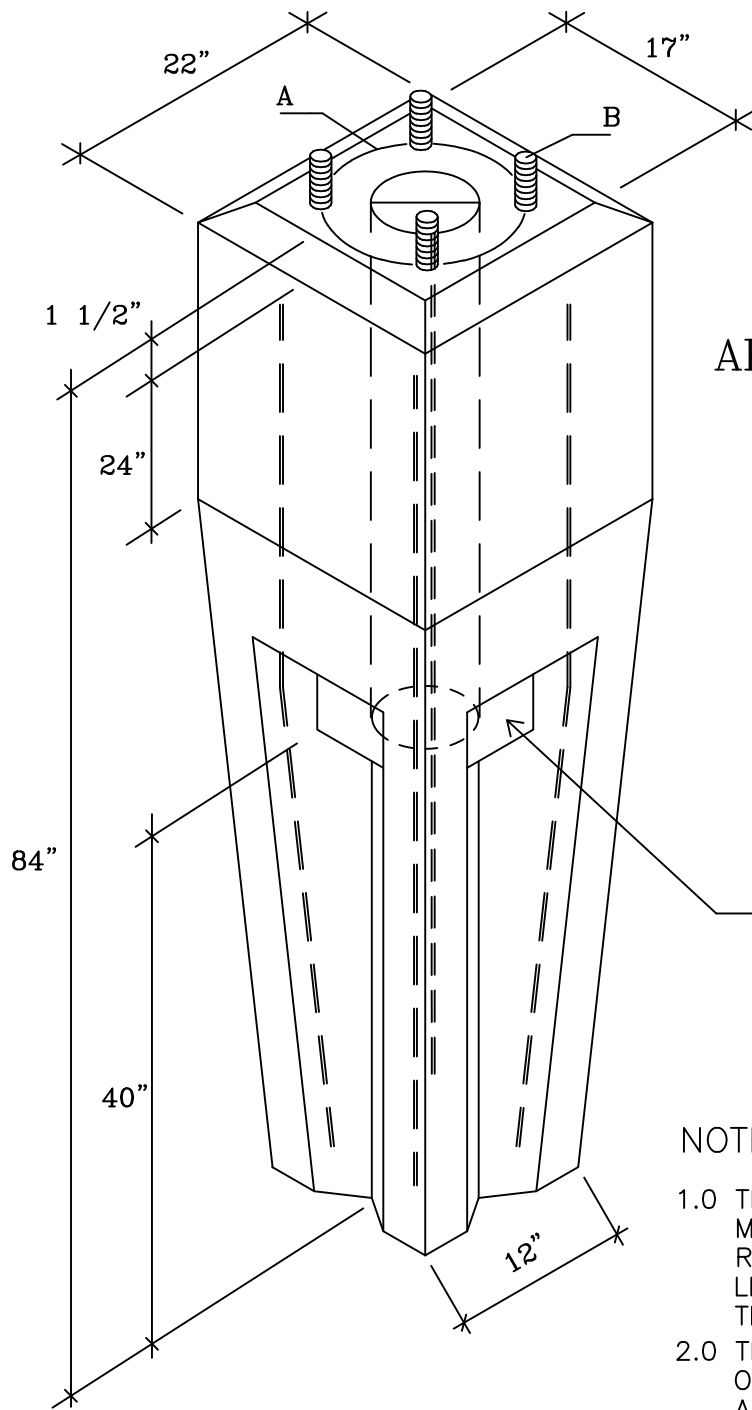


THE FOLLOWING INFORMATION
MUST BE PROVIDED PRIOR
TO FABRICATION

(A) BOLT CIRCLE = _____

(B) BOLT PROJ. = _____

BOLT DIAM. = _____



AB-7 POLE BASE

WEIGHT: 1835#

#4 REBAR - 54" LONG

THRU CENTER OF BASE

28-DAY CONCRETE COMPRESSIVE

STRENGTH = 5000 PSI

KNOCKOUT (4 PLCS.)

NOTES:

- 1.0 THIS POLE BASE IS DESIGNED TO SUPPORT METAL LIGHT POLES. IT IS THE ENGINEERS RESPONSIBILITY TO DETERMINE WHICH LIGHT POLES CAN BE SUPPORTED BY THIS POLE BASE.
- 2.0 THE ENGINEER WILL DESIGN THE SIZE OF THE BOLTS, BOLT CIRCLE DIAMETER, AND THE BOLT PROJECTION.

1380 N.E. 48th Street
 Pompano Beach, FL 33064
 PHONE: (954) 781-4040



Precast Specialties, LLC.

FAX: (954) 781-3539 SALES & ADMINISTRATIVE

Precast and Prestressed Concrete