

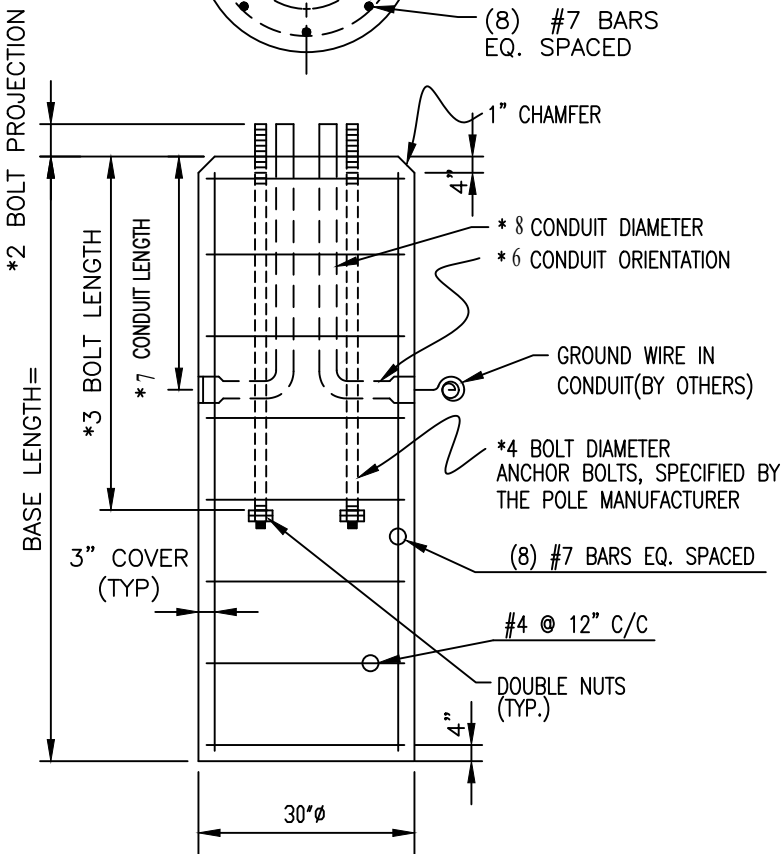
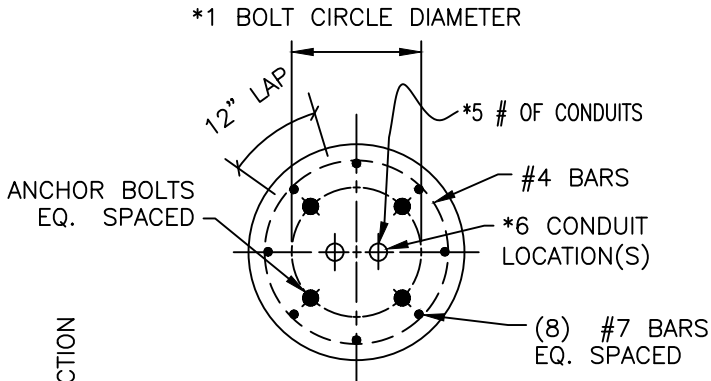
JOB NO: \_\_\_\_\_

PROJECT: \_\_\_\_\_

CUSTOMER: \_\_\_\_\_

**PRODUCT SPECIFICATIONS:**

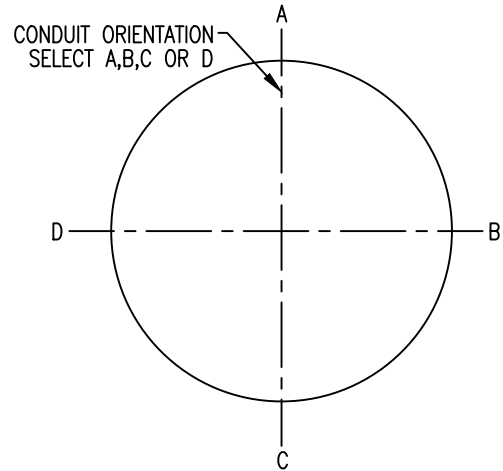
CONCRETE = 5,000 PSI @ 28 DAYS  
REINFORCING = -  
WEIGHT/LINEAR FT. = 665 LBS.



**30"  $\phi$  POLE BASE**

NTS

**CONDUIT LOCATION SKETCH**



\*6 INDICATE CONDUIT LOCATIONS IN CIRCLE PROVIDE DIMENSION FROM CENTER

**POLE BASE DETAILS**

*1 BOLT CIRCLE Diam. =	_____	inches
*2 BOLT projection =	_____	inches
*3 BOLT length =	_____	inches
*4 BOLT diameter =	_____	inches
*5 # of conduits =	_____	
*6 conduit	Sketch conduit orientation in plan view*	
*7 conduit length =	_____	inches
*8 conduit diameter =	_____	inches

\* Information MUST be provided prior to fabrication of bases

**NOTES:**

- POLE BASE DESIGNED TO SUPPORT METAL LIGHT POLES. E.O.R. IS RESPONSIBLE TO DETERMINE WHICH LIGHT POLES CAN BE SUPPORTED BY POLE BASE.
- CONDUIT CAST IN POLE BASE AS INDICATED BY CUSTOMER.
- CONDUIT AND ANCHOR BOLTS ARE TO BE SUPPLIED AND DELIVERED TO PCS BY CUSTOMER.

\*\* CUSTOMER IS RESPONSIBLE FOR ACCURACY AND QUANTITY OF SUPPLIED MATERIALS \*\* INITIAL \_\_\_\_\_

CUSTOMER SIGNATURE: \_\_\_\_\_

DATE: \_\_\_\_\_

QC SIGNATURE: \_\_\_\_\_

DATE: \_\_\_\_\_



Pre-Cast Specialties, L.L.C.  
CGC-060216

3898 Selvitz Road | Fort. Pierce, FL 34981  
1-855-960-7274 | (772) 266-5701  
www.PrecastSpecialties.com